

Round plug connector, Series CON-RD



AVENTICS™ Round plug connector, Series CON-RD

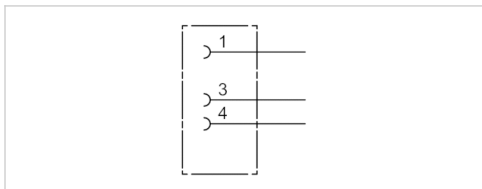


Round plug connector, Series CON-RD

- Socket, M8x1, 3-pin, A-coded, straight, 180°
- UL (Underwriters Laboratories)
- unshielded



Connection type	Soldering
Ambient temperature min./max.	-25 ... 80 °C
Operational voltage	48 V AC/DC
Protection class	IP67
Weight	0.009 kg



Technical data

Part No.	Max. current	suitable cable-Ø min./max
1834484173	4 A	3.5 / 5 mm

Technical information

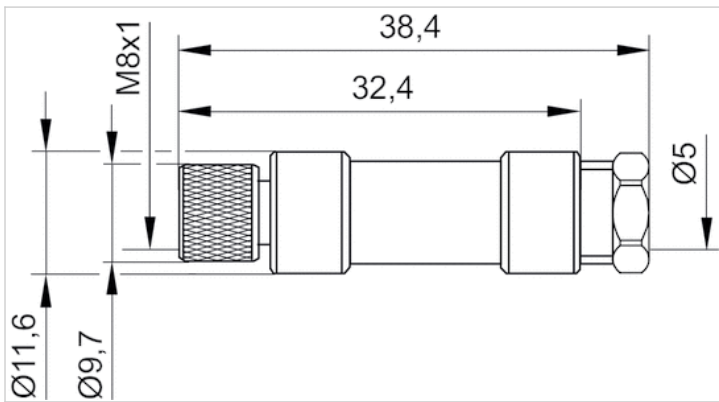
The specified protection class is only valid in assembled and tested state.

Technical information

Material	
Housing	Polyamide

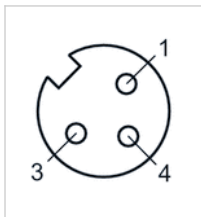
Dimensions

Dimensions



Pin assignments

Pin assignment, socket

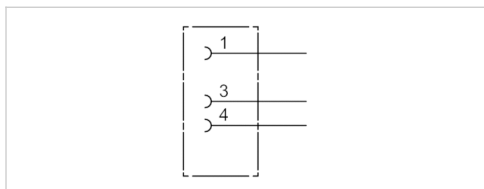


Round plug connector, Series CON-RD

- Socket, M8x1, 3-pin, A-coded, angled, 90°
- UL (Underwriters Laboratories)
- unshielded



Connection type	Soldering
Ambient temperature min./max.	-40 ... 85 °C
Operational voltage	48 V AC/DC
Protection class	IP67
Weight	0.01 kg



Technical data

Part No.	Max. current	Contact assignment	suitable cable-Ø min./max
1834484174	4 A	3	3.5 / 5 mm

Technical information

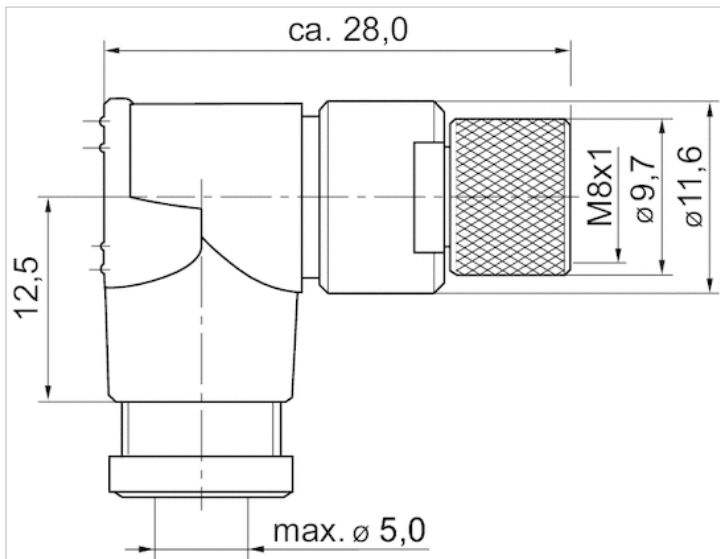
The specified protection class is only valid in assembled and tested state.

Technical information

Material	
Housing	Polyamide

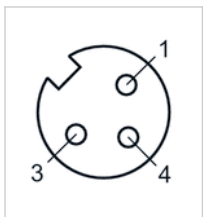
Dimensions

Dimensions



Pin assignments

Pin assignment, socket

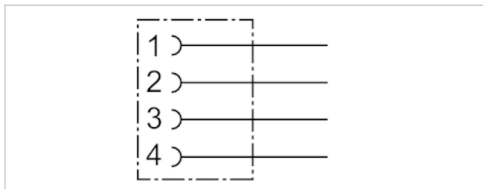


Round plug connector, Series CON-RD

- Socket, M8x1, 4-pin, A-coded, straight, 180°
- UL (Underwriters Laboratories)
- unshielded



Ambient temperature min./max.	-40 ... 85 °C
Operational voltage	48 V AC/DC
Protection class	IP67
Weight	0.009 kg



Technical data

Part No.	Max. current	suitable cable-Ø min./max
1834484175	4 A	3.5 / 5 mm

Technical information

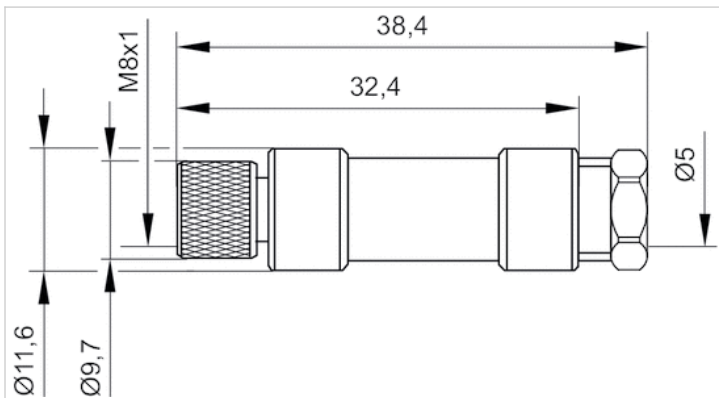
The specified protection class is only valid in assembled and tested state.

Technical information

Material	
Housing	Polyamide

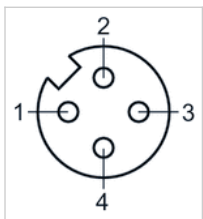
Dimensions

Dimensions



Pin assignments

Pin assignment, socket

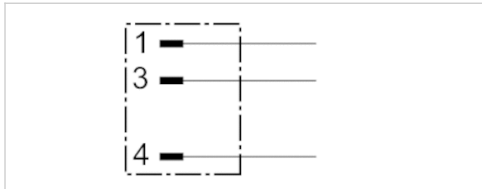


Round plug connector, Series CON-RD

- Plug, M8x1, 3-pin, A-coded, straight, 180°
- unshielded



Connection type	Screws
Ambient temperature min./max.	-40 ... 85 °C
Operational voltage	48 V AC/DC
Protection class	IP67
Weight	0.01 kg



Technical data

Part No.	Max. current	Contact assignment	suitable cable-Ø min./max
R412021676	4 A	3	3.5 / 5 mm

Technical information

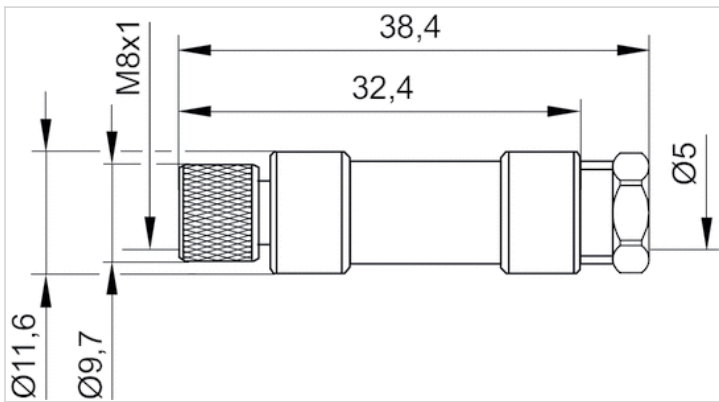
The specified protection class is only valid in assembled and tested state.

Technical information

Material	
Housing	Polyamide

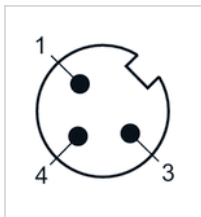
Dimensions

Dimensions



Pin assignments

Plug pin assignment



Round plug connector, Series CON-RD

- Plug, M8x1, 3-pin, A-coded, angled, 90°

- unshielded



Connection type

Ambient temperature min./max.

Operational
voltage

Protection class

Weight

Screws

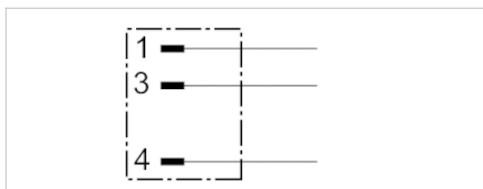
-25 ... 85 °C

48 V AC/DC

IP67

0.01 kg

The delivered product may vary from that in the illustration.



Technical data

Part No.	Max. current	Contact assignment	suitable cable-Ø min./max
R412021677	4 A	3	3.5 / 6 mm

Technical information

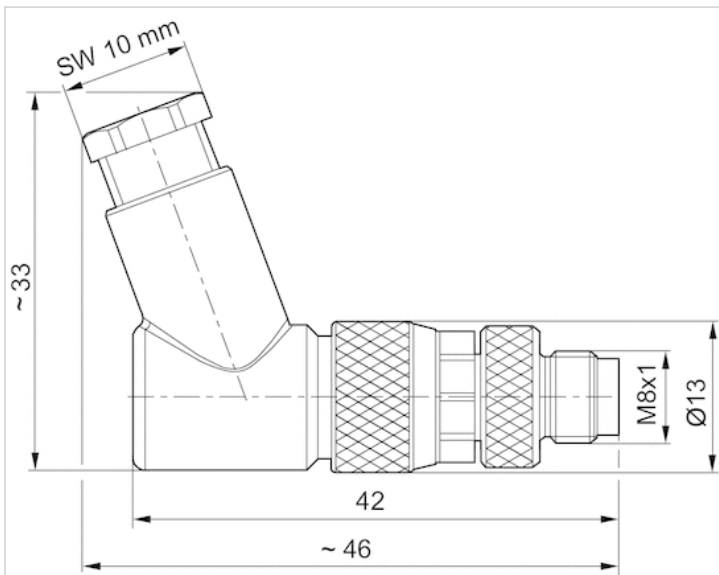
The specified protection class is only valid in assembled and tested state.

Technical information

Material	
Housing	Polyamide

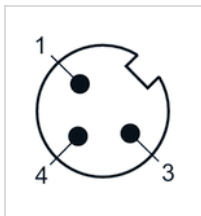
Dimensions

Dimensions



Pin assignments

Plug pin assignment

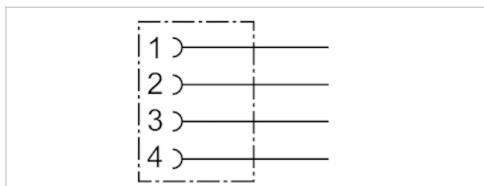


Round plug connector, Series CON-RD

- Socket, M12x1, 4-pin, A-coded, straight, 180°
- UL (Underwriters Laboratories)
- unshielded



Connection type	Screws
Ambient temperature min./max.	-40 ... 85 °C
Operational voltage	48 V AC/DC
Protection class	IP67
Weight	0.015 kg



Technical data

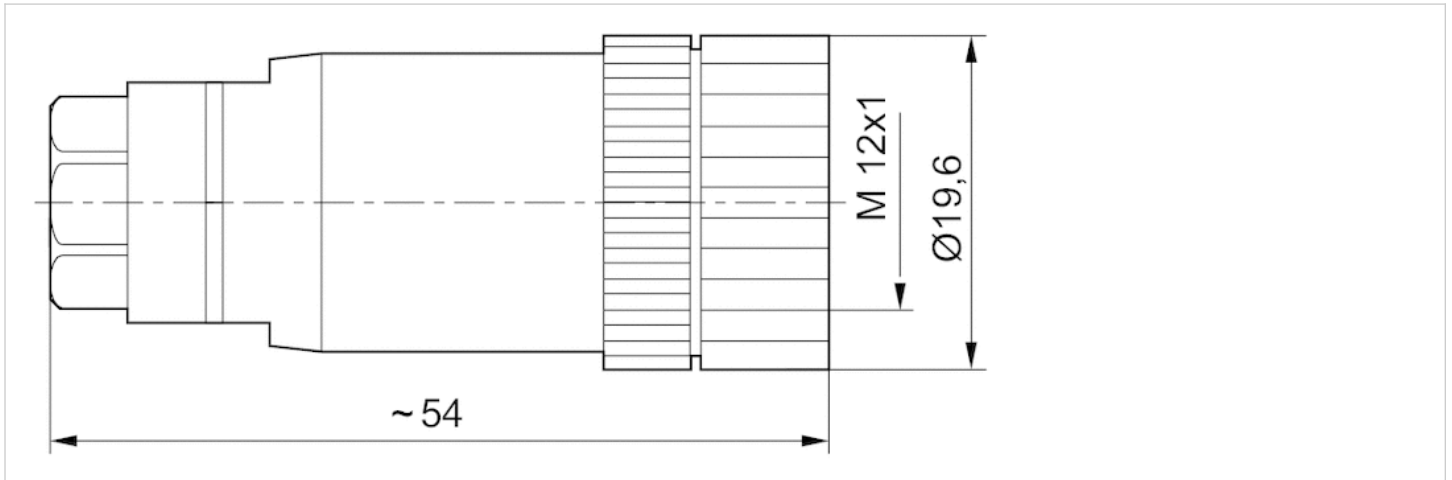
Part No.	Max. current	suitable cable-Ø min./max
1834484177	4 A	4 / 6 mm

Technical information

Material	
Housing	Polyamide

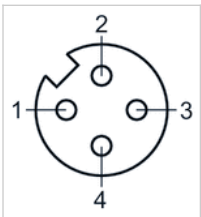
Dimensions

Dimensions



Pin assignments

Pin assignment, socket



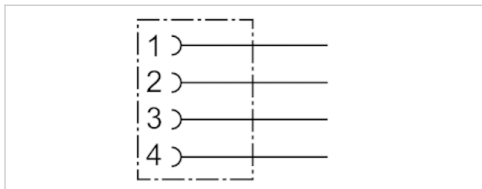
Round plug connector, Series CON-RD

- Socket, M12x1, 4-pin, A-coded, straight, 180°
- UL (Underwriters Laboratories)
- unshielded



Connection type	Screws
Ambient temperature min./max.	-25 ... 90 °C
Operational voltage	48 V AC/DC
Protection class	IP67
Weight	0.029 kg

The delivered product may vary from that in the illustration.



Technical data

Part No.	Max. current	suitable cable-Ø min./max
8941054324	4 A	4 mm

Technical information

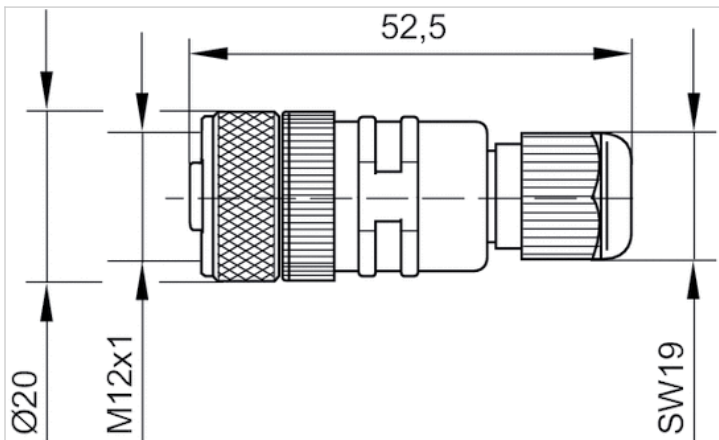
The specified protection class is only valid in assembled and tested state.

Technical information

Material	
Housing	Polybutyleneterephthalate
Seals	Fluorocarbon caoutchouc

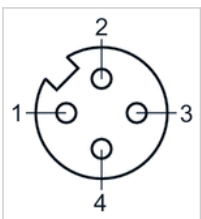
Dimensions

Dimensions



Pin assignments

Pin assignment, socket

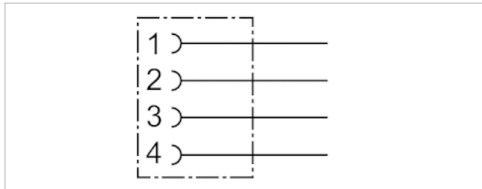


Round plug connector, Series CON-RD

- Socket, M12x1, 4-pin, A-coded, angled, 90°
- unshielded



Connection type	Screws
Ambient temperature min./max.	-25 ... 90 °C
Operational voltage	48 V AC/DC
Protection class	IP67
Weight	0.027 kg



Technical data

Part No.	Max. current	suitable cable-Ø min./max
8941054424	4 A	4 mm

Technical information

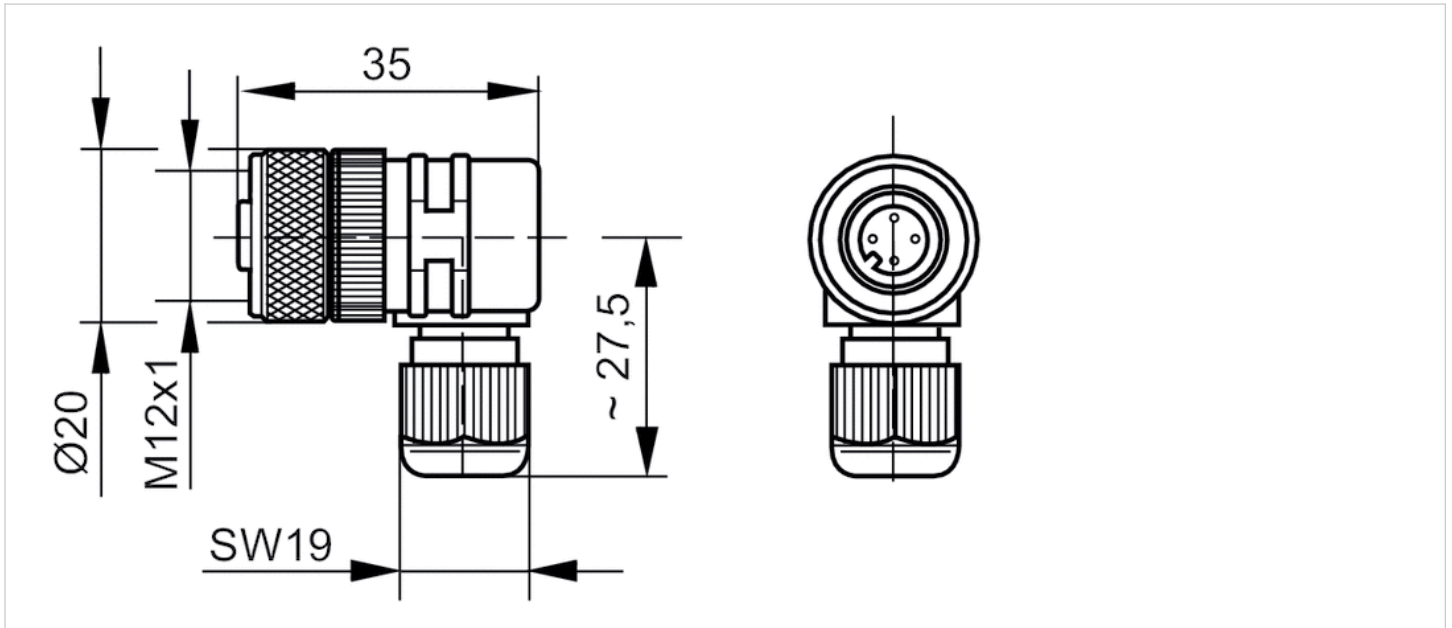
The specified protection class is only valid in assembled and tested state.

Technical information

Material	
Housing	Polybutyleneterephthalate
Seals	Fluorocarbon caoutchouc

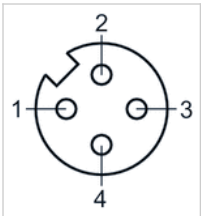
Dimensions

Dimensions



Pin assignments

Pin assignment, socket



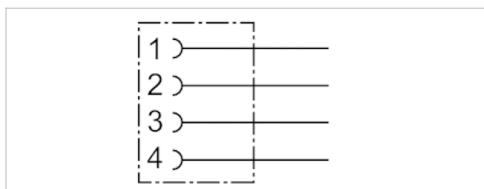
Round plug connector, Series CON-RD

- Socket, M12x1, 4-pin, A-coded, angled, 90°

- unshielded



Connection type	Screws
Ambient temperature min./max.	-40 ... 85 °C
Operational voltage	48 V AC/DC
Protection class	IP67
Weight	0.016 kg



Technical data

Part No.	Max. current	suitable cable-Ø min./max
1834484178	4 A	4 mm

Technical information

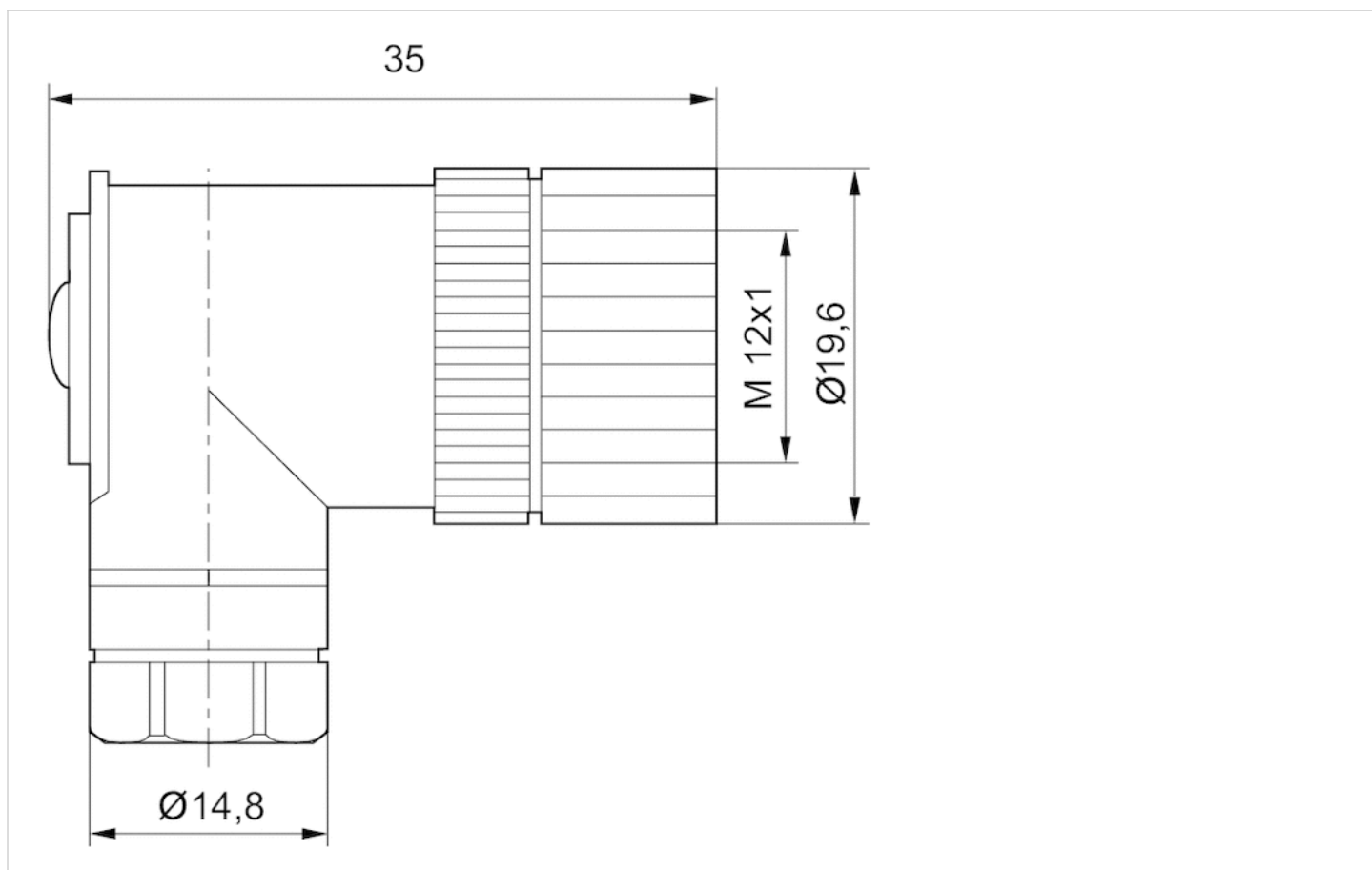
The specified protection class is only valid in assembled and tested state.

Technical information

Material	
Housing	Polyamide

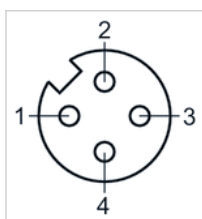
Dimensions

Dimensions



Pin assignments

Pin assignment, socket

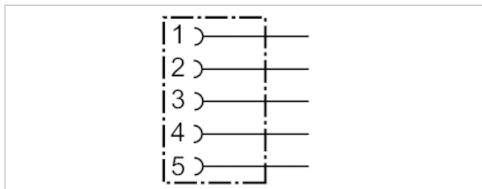


Round plug connector, Series CON-RD

- Socket, M12x1, 5-pin, A-coded, straight, 180°
- for DeviceNet
- unshielded



Connection type	Screws
Ambient temperature min./max.	-40 ... 85 °C
Operational voltage	48 V AC/DC
Protection class	IP67
Weight	0.016 kg



Technical data

Part No.	Max. current	suitable cable-Ø min./max
4407230020	4 A	4 mm

Technical information

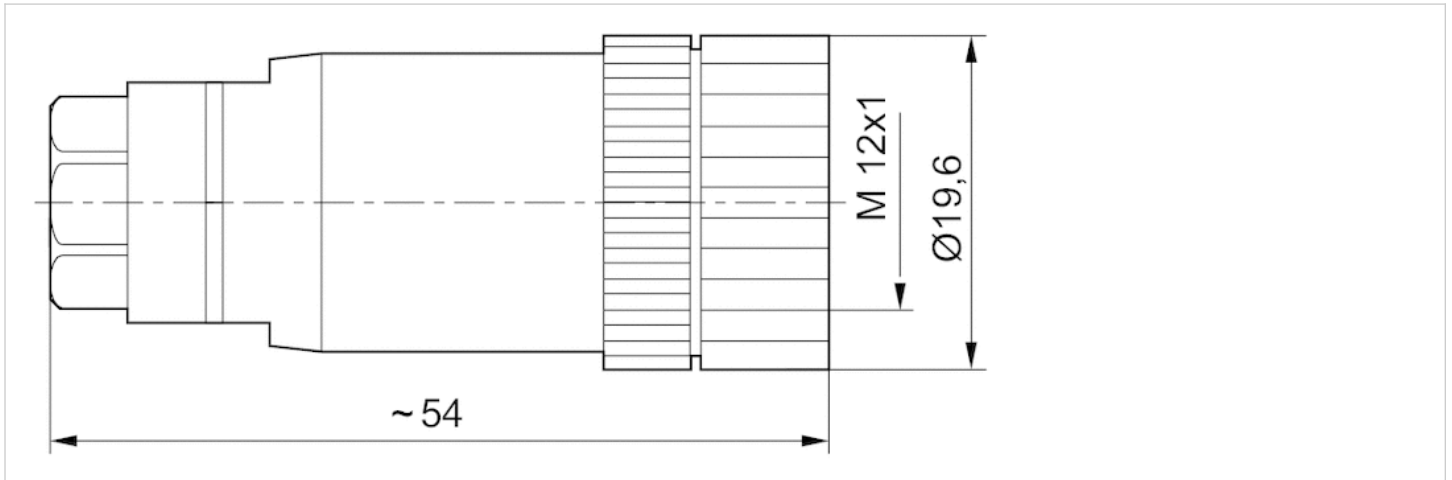
The specified protection class is only valid in assembled and tested state.

Technical information

Material	
Housing	Polyamide

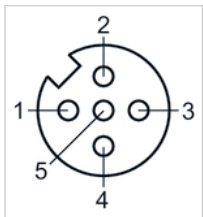
Dimensions

Dimensions



Pin assignments

Pin assignment, socket

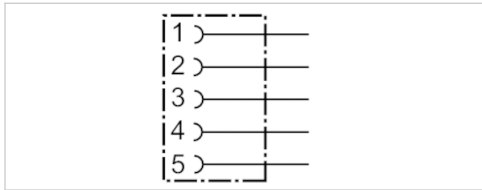


Round plug connector, Series CON-RD

- Socket, M12x1, 5-pin, A-coded, straight, 180°
- for CANopen, DeviceNet
- UL (Underwriters Laboratories)
- shielded



Connection type	Screws
Ambient temperature min./max.	-40 ... 85 °C
Operational voltage	48 V AC/DC
Protection class	IP67
Weight	0.051 kg



Technical data

Part No.	Max. current	suitable cable-Ø min./max
8942051602	4 A	6 mm

Technical information

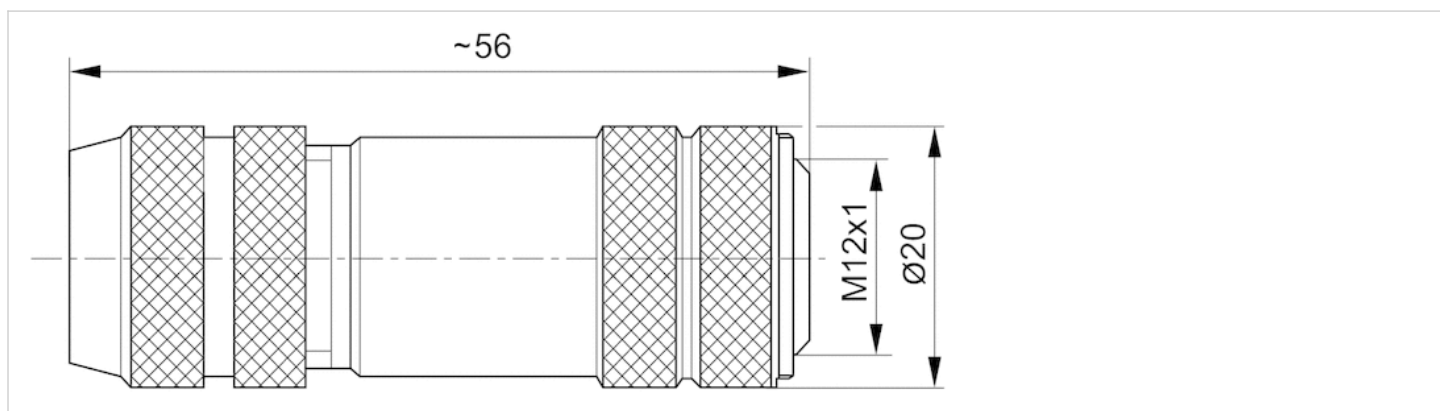
The specified protection class is only valid in assembled and tested state.

Technical information

Material	
Housing	Brass, nickel-plated

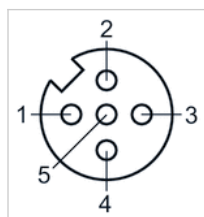
Dimensions

Dimensions



Pin assignments

Pin assignment, socket

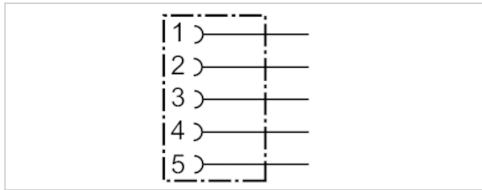


Round plug connector, Series CON-RD

- Socket, M12x1, 5-pin, B-coded, straight, 180°
- for PROFIBUS DP
- UL (Underwriters Laboratories)
- shielded



Connection type	Screws
Ambient temperature min./max.	-40 ... 85 °C
Operational voltage	48 V AC/DC
Protection class	IP67
Weight	0.06 kg



Technical data

Part No.	Max. current	suitable cable-Ø min./max
8941054044	4 A	6 / 8 mm

Technical information

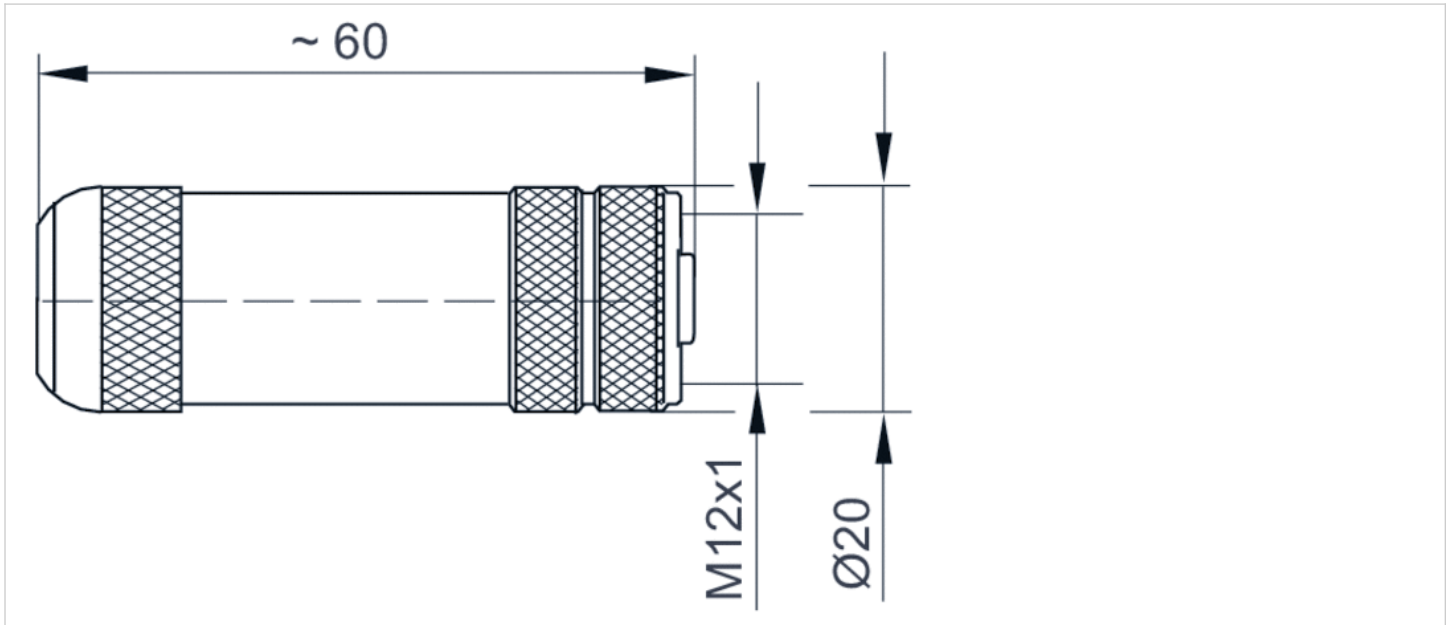
The specified protection class is only valid in assembled and tested state.

Technical information

Material	
Housing	Brass, nickel-plated
Seals	Fluorocarbon caoutchouc

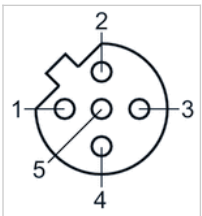
Dimensions

Dimensions



Pin assignments

Pin assignment, socket

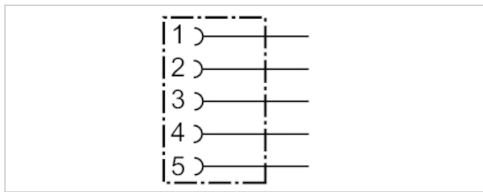


Round plug connector, Series CON-RD

- Socket, M12x1, 5-pin, A-coded, angled, 90°
- for CANopen
- UL (Underwriters Laboratories)
- shielded



Connection type	Screws
Ambient temperature min./max.	-40 ... 85 °C
Operational voltage	48 V AC/DC
Protection class	IP67
Weight	0.072 kg



Technical data

Part No.	Max. current	suitable cable-Ø min./max
1824484029	4 A	6 / 8 mm

Technical information

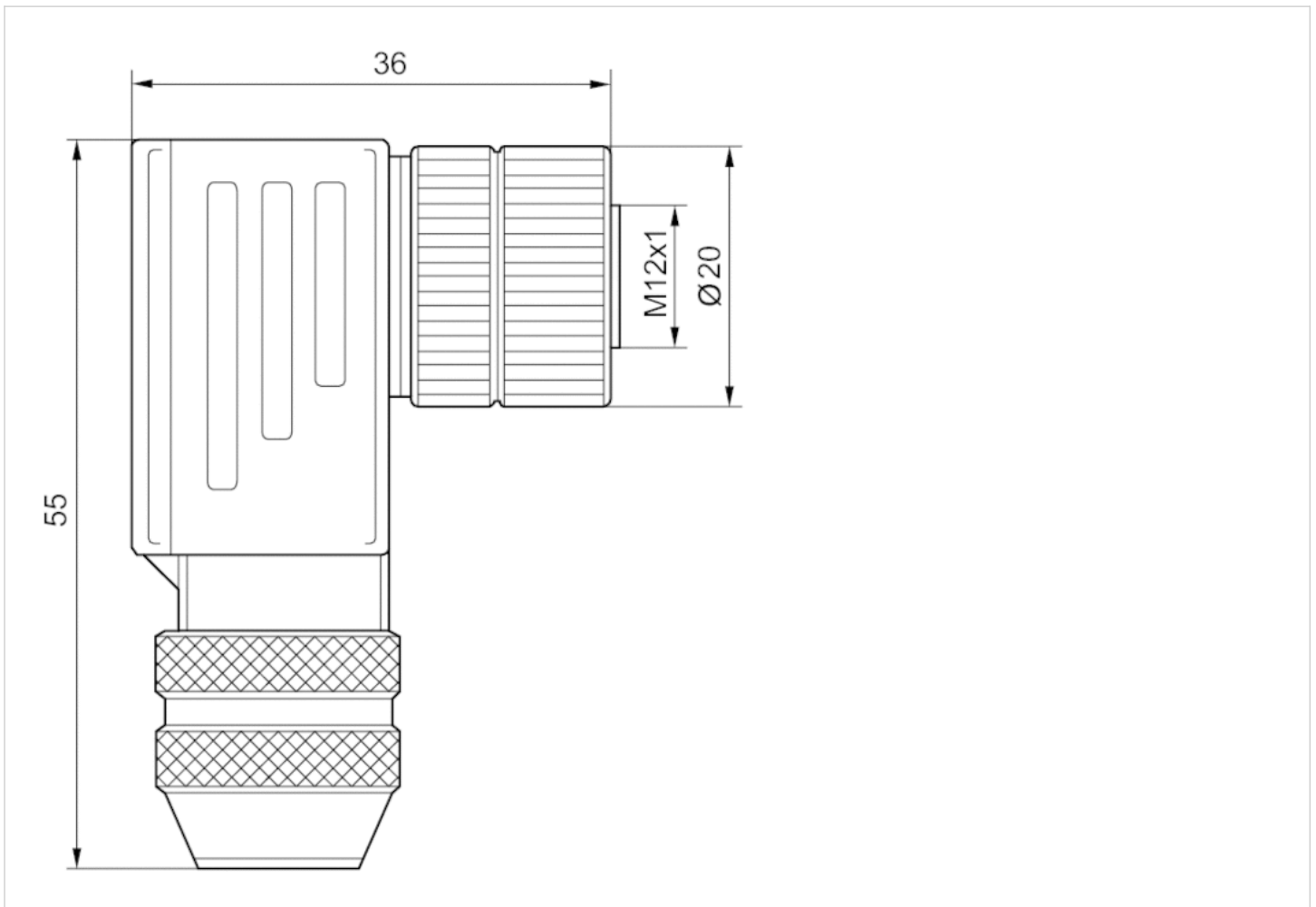
The specified protection class is only valid in assembled and tested state.

Technical information

Material	
Housing	Die cast zinc

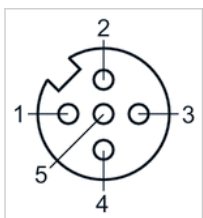
Dimensions

Dimensions



Pin assignments

Pin assignment, socket

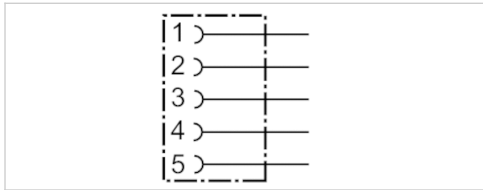


Round plug connector, Series CON-RD

- Socket, M12x1, 5-pin, B-coded, angled, 90°
- for PROFIBUS DP
- UL (Underwriters Laboratories)
- shielded



Connection type	Screws
Ambient temperature min./max.	-40 ... 85 °C
Operational voltage	48 V AC/DC
Protection class	IP67
Weight	0.071 kg



Technical data

Part No.	Max. current	suitable cable-Ø min./max
1824484027	4 A	6 / 8 mm

Technical information

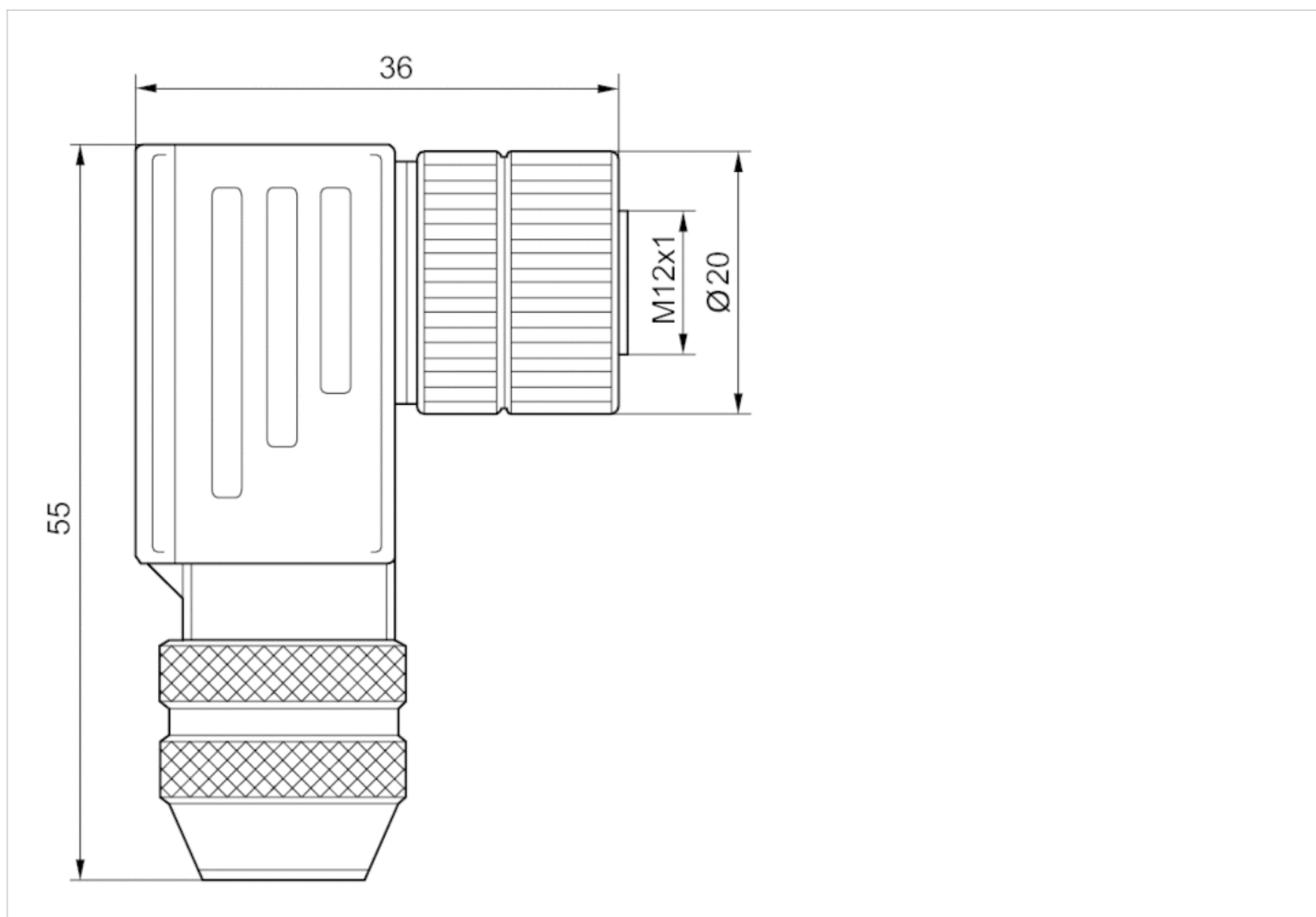
The specified protection class is only valid in assembled and tested state.

Technical information

Material	
Housing	Die cast zinc

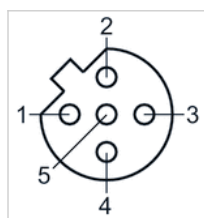
Dimensions

Dimensions



Pin assignments

Pin assignment, socket



Round plug connector, Series CON-RD

- Plug, M12x1, 4-pin, A-coded, straight, 180°
- UL (Underwriters Laboratories)
- unshielded



Connection type	Screws
Ambient temperature min./max.	-40 ... 85 °C
Operational voltage	48 V AC/DC
Protection class	IP67
Weight	0.016 kg



Technical data

Part No.	Max. current	suitable cable-Ø min./max
1834484222	4 A	4 / 6 mm

Technical information

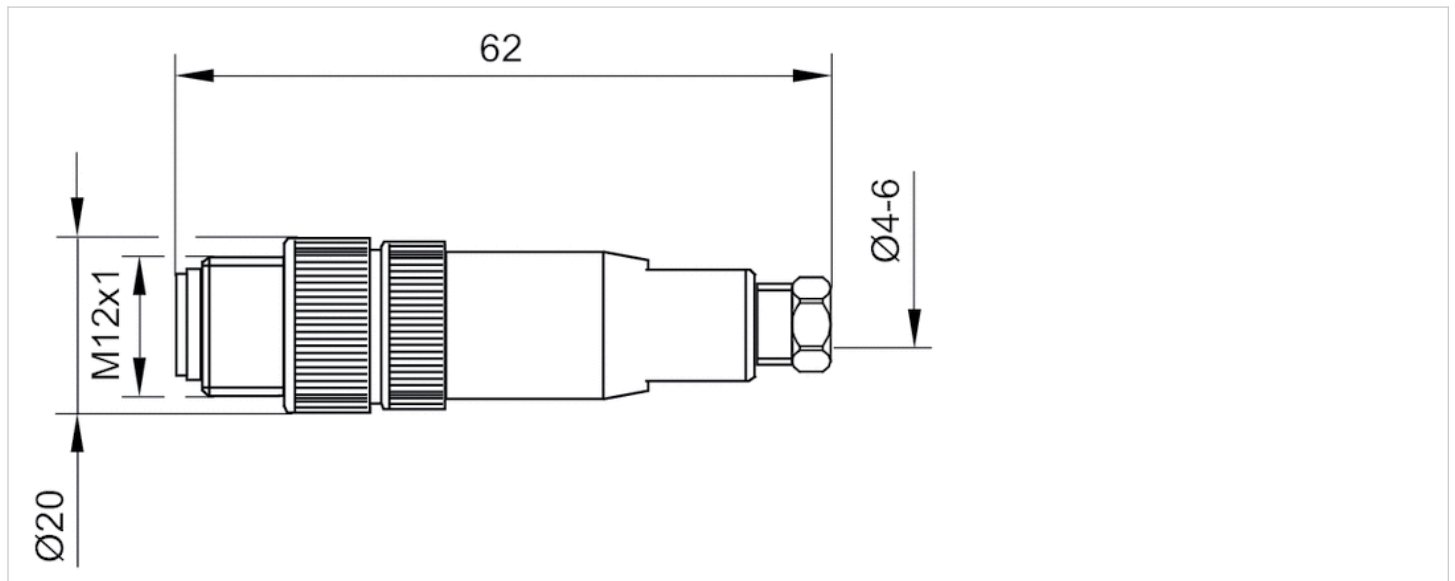
The specified protection class is only valid in assembled and tested state.

Technical information

Material	
Housing	Polyamide

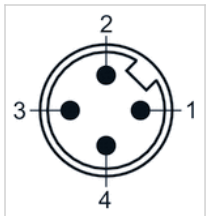
Dimensions

Dimensions



Pin assignments

Plug pin assignment



Round plug connector, Series CON-RD

- Plug, M12x1, 4-pin, D-coded, straight, 180°
- for Ethernet, EtherNET/IP, EtherCAT, POWERLINK, sercos III
- shielded



Connection type	Thread cutting
Ambient temperature min./max.	-40 ... 85 °C
Operational voltage	48 V AC/DC
Protection class	IP67
Weight	0.41 kg



Technical data

Part No.	Max. current	suitable cable-Ø min./max
R419801401	4 A	6 / 8 mm

Technical information

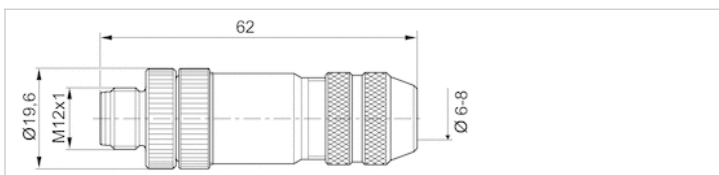
The specified protection class is only valid in assembled and tested state.

Technical information

Material	
Housing	Brass, nickel-plated

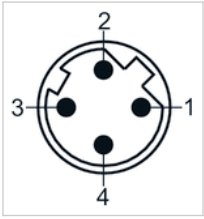
Dimensions

Dimensions



Pin assignments

Plug pin assignment



Round plug connector, Series CON-RD

- Plug, M12x1, 4-pin, A-coded, angled, 90° Plug, M12x1, 4-pin, A-coded, straight, 180°
- UL (Underwriters Laboratories)
- unshielded



Connection type	Screws
Ambient temperature min./max.	-40 ... 85 °C
Operational voltage	48 V AC/DC
Protection class	IP67
Weight	See table below
	The delivered product may vary from that in the illustration.



Technical data

Part No.	Electrical connection	Max. current	suitable cable-Ø min./max	Weight
	1			
1834484223	Plug M12x1 4-pin A-coded angled 90°	4 A	4 / 6 mm	0.02 kg
1834484246	Plug M12x1 4-pin A-coded straight 180°	4 A	2.1 / 3 mm	0.024 kg

Part No.	Fig.
1834484223	Fig. 1
1834484246	Fig. 2

For the duo plug, the cable diameter to be used varies between 2.1 ... 3.0 mm and 4.0 ... 5.0 mm depending on the seal used.

Technical information

The specified protection class is only valid in assembled and tested state.
 Included: 2 seals for 2 cables each with Ø 2.1 mm ... 3.0 mm and Ø 4.0 mm ... 5.0 mm .

Technical information

Material	
Housing	Polyamide

Dimensions

Fig. 1

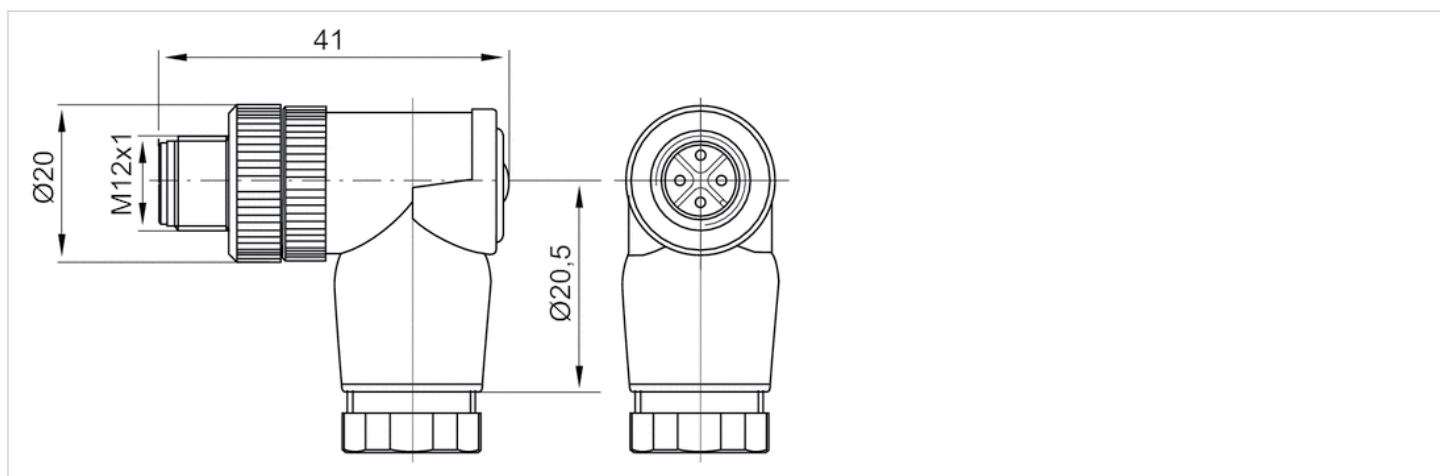
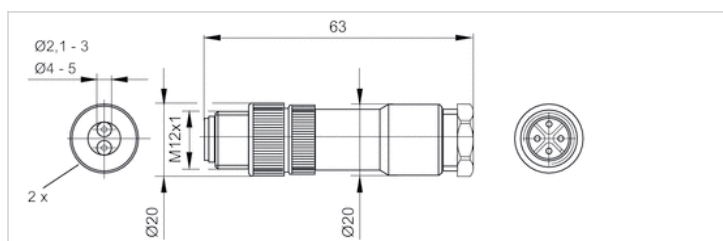


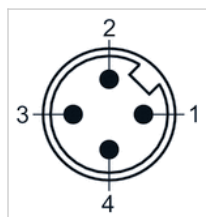
Fig. 2



duo plug

Pin assignments

Plug pin assignment

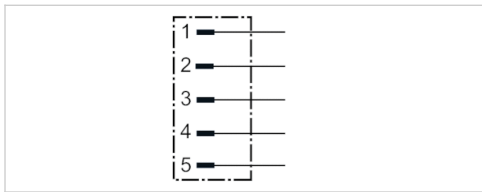


Round plug connector, Series CON-RD

- Plug, M12x1, 5-pin, A-coded, straight, 180°
- for CANopen, DeviceNet
- UL (Underwriters Laboratories)
- shielded



Connection type	Screws
Ambient temperature min./max.	-40 ... 85 °C
Operational voltage	48 V AC/DC
Protection class	IP67
Weight	0.48 kg



Technical data

Part No.	Max. current	suitable cable-Ø min./max
8942051612	4 A	6 / 8 mm

Technical information

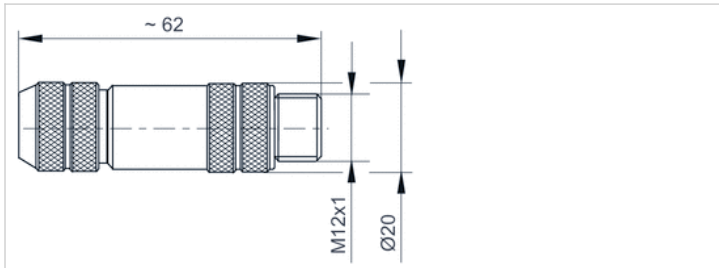
The specified protection class is only valid in assembled and tested state.

Technical information

Material	
Housing	Brass, nickel-plated

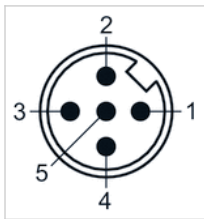
Dimensions

Dimensions



Pin assignments

Plug pin assignment

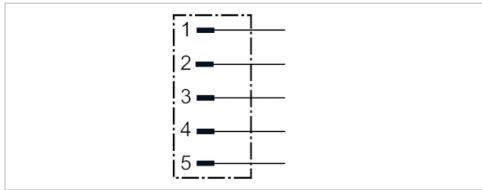


Round plug connector, Series CON-RD

- Plug, M12x1, 5-pin, B-coded, straight, 180°
- for PROFIBUS DP
- UL (Underwriters Laboratories)
- shielded



Connection type	Screws
Ambient temperature min./max.	-25 ... 85 °C
Operational voltage	48 V AC/DC
Protection class	IP67
Weight	0.06 kg



Technical data

Part No.	Max. current	suitable cable-Ø min./max
8941054054	4 A	4 / 9 mm

Technical information

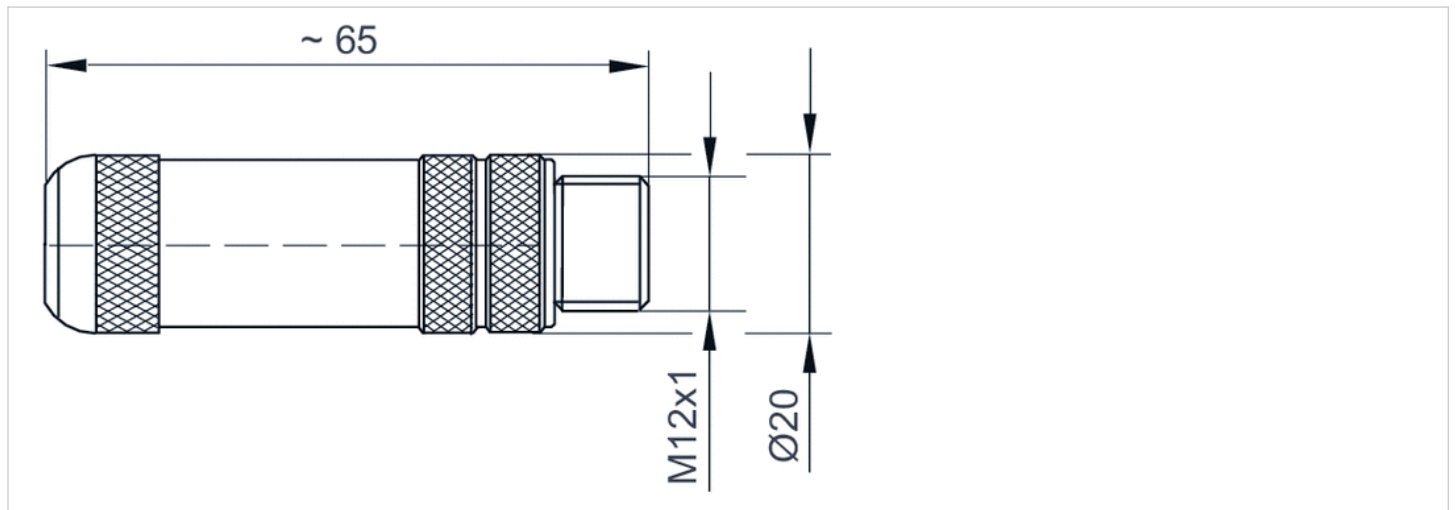
The specified protection class is only valid in assembled and tested state.

Technical information

Material	
Housing	Brass, nickel-plated
Seals	Fluorocarbon caoutchouc

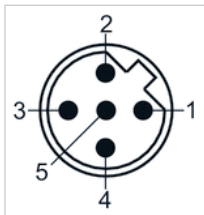
Dimensions

Dimensions



Pin assignments

Plug pin assignment

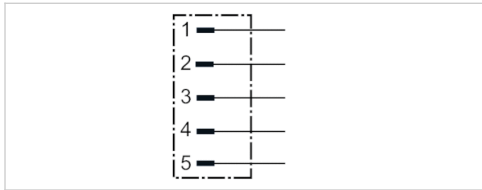


Round plug connector, Series CON-RD

- Plug, M12x1, 5-pin, A-coded, angled, 90°
- for CANopen
- UL (Underwriters Laboratories)
- shielded



Connection type	Screws
Ambient temperature min./max.	-40 ... 85 °C
Operational voltage	48 V AC/DC
Protection class	IP67
Weight	0.068 kg



Technical data

Part No.	Max. current	suitable cable-Ø min./max
1824484028	4 A	6 / 8 mm

Technical information

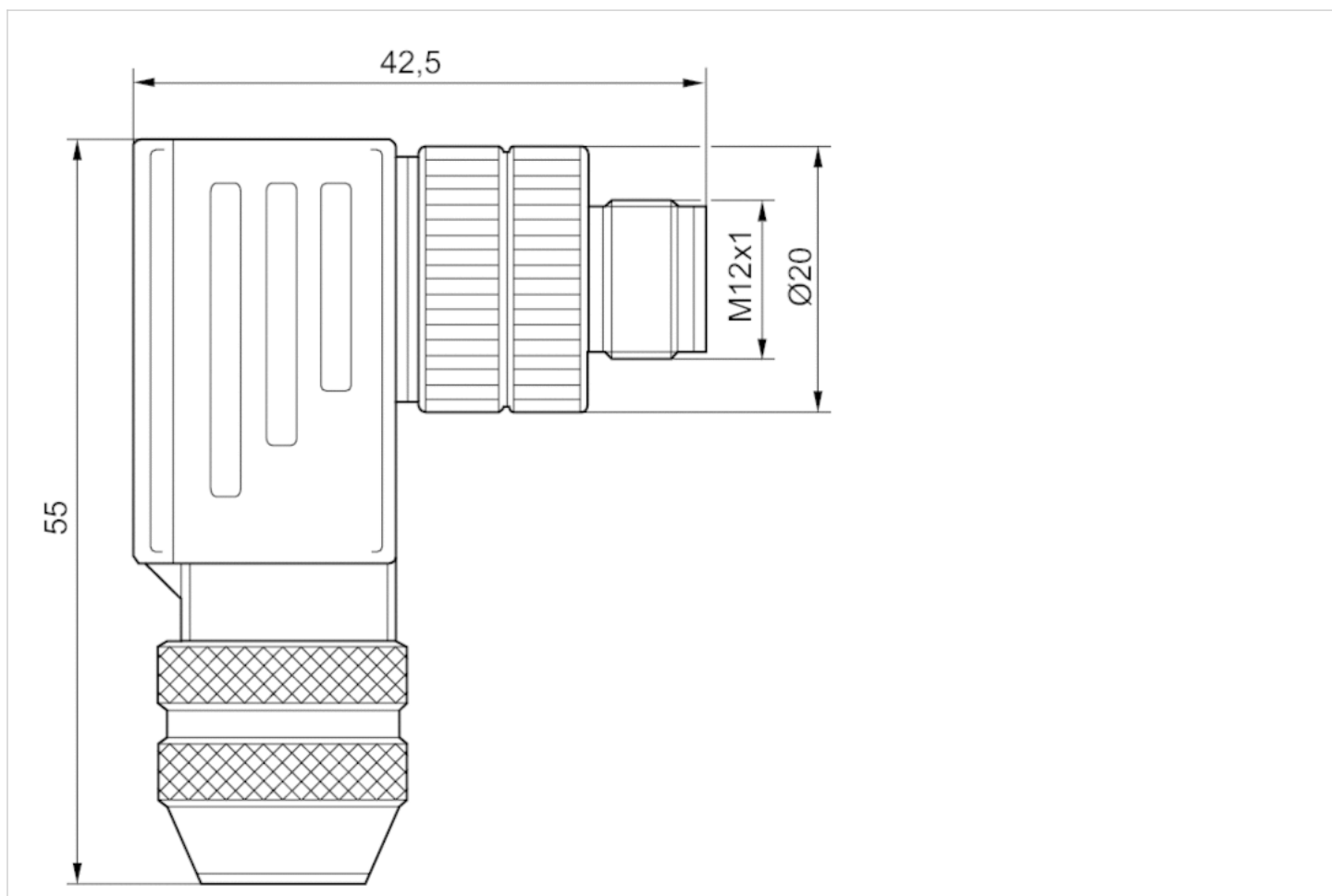
The specified protection class is only valid in assembled and tested state.

Technical information

Material	
Housing	Brass, nickel-plated

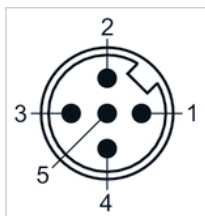
Dimensions

Dimensions



Pin assignments

Plug pin assignment



Round plug connector, Series CON-RD

- Plug, M12x1, 5-pin, B-coded, angled, 90°
- for PROFIBUS DP
- shielded



Connection type	Screws
Ambient temperature min./max.	-40 ... 85 °C
Operational voltage	48 V AC/DC
Protection class	IP67
Weight	0.69 kg



Technical data

Part No.	Max. current	suitable cable-Ø min./max
1824484026	4 A	6 / 8 mm

Technical information

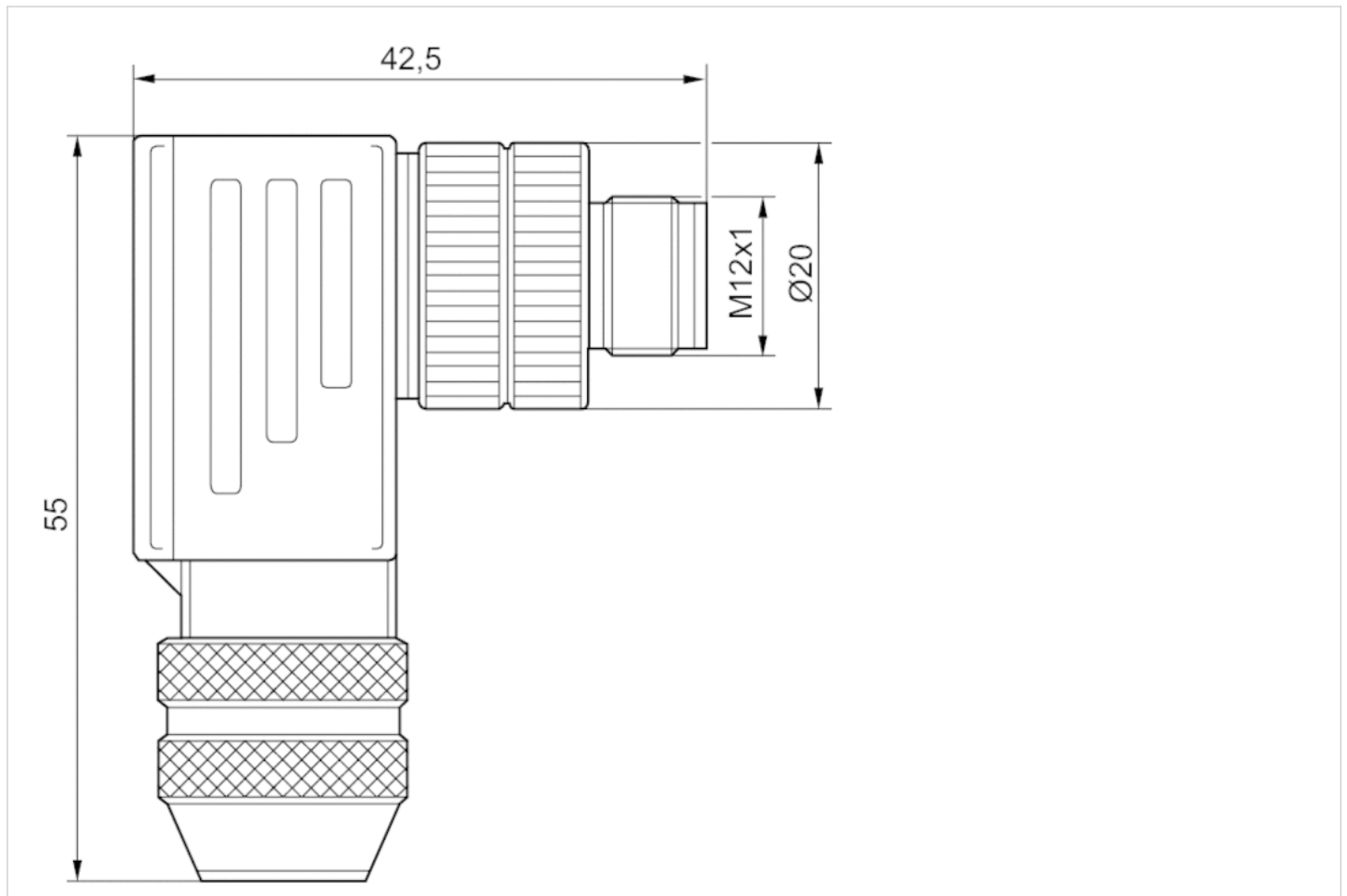
The specified protection class is only valid in assembled and tested state.

Technical information

Material	
Housing	Die cast zinc

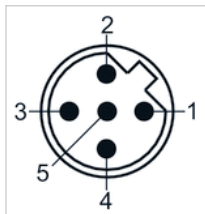
Dimensions

Dimensions



Pin assignments

Plug pin assignment

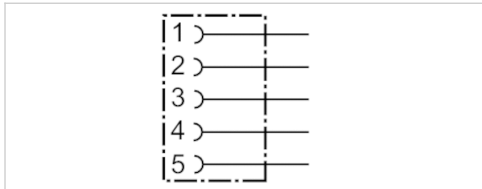


Round plug connector, Series CON-RD

- Socket, 7/8"-16UNF, 5-pin, straight, 180°
- unshielded



Connection type	Screws
Ambient temperature min./max.	-25 ... 85 °C
Operational voltage	48 V AC/DC
Protection class	IP67
Mounting screw tightening torque	0.8 Nm
Weight	0.054 kg



Technical data

Part No.	Max. current	suitable cable-Ø min./max
R412024840	9 A	6 / 8 mm

Technical information

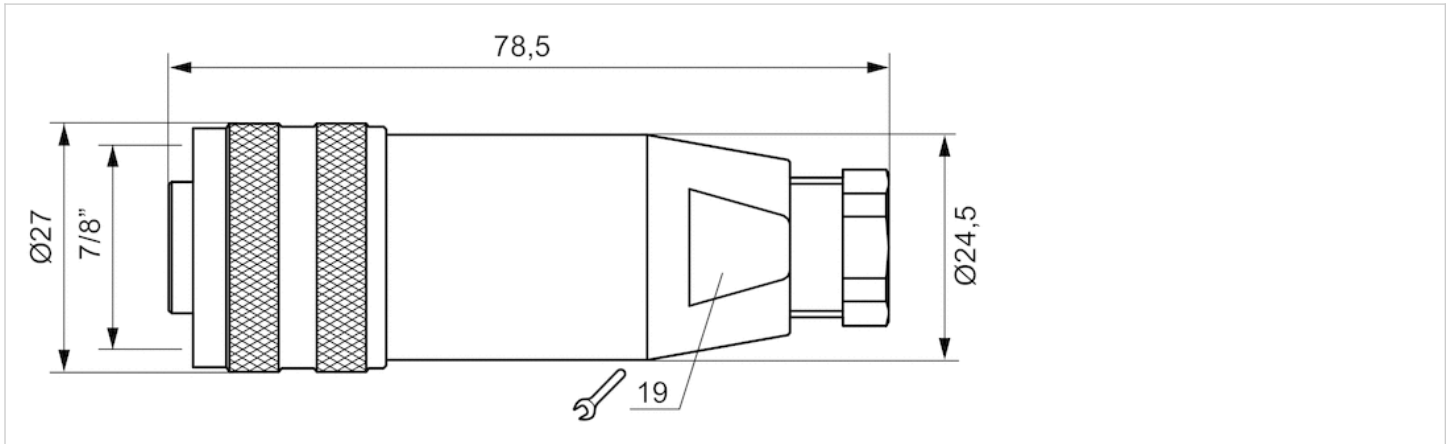
The specified protection class is only valid in assembled and tested state.

Technical information

Material	
Housing	Polybutyleneterephthalate

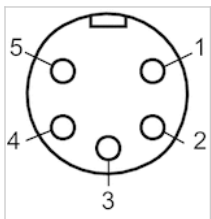
Dimensions

Dimensions



Pin assignments

Pin assignment



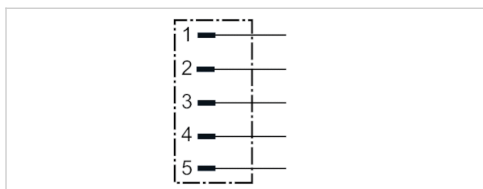
Round plug connector, Series CON-RD

- Plug, 7/8"-16UNF, 5-pin, straight, 180°

- unshielded



Connection type	Screws
Ambient temperature min./max.	-25 ... 85 °C
Operational voltage	48 V AC/DC
Protection class	IP67
Mounting screw tightening torque	0.8 Nm
Weight	0.047 kg



Technical data

Part No.	Max. current	suitable cable-Ø min./max
R412024839	9 A	6 / 8 mm

Technical information

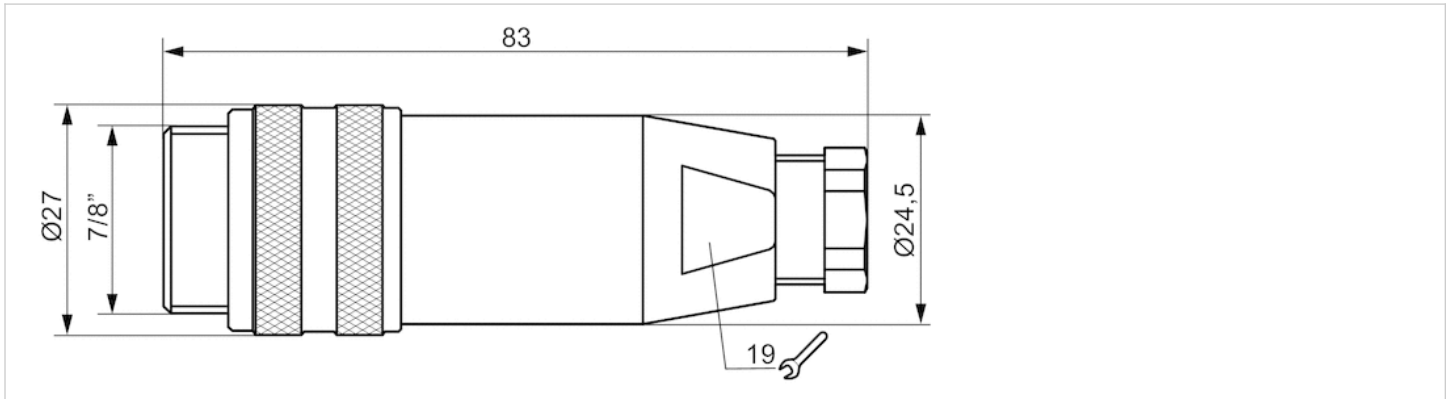
The specified protection class is only valid in assembled and tested state.

Technical information

Material	
Housing	Polybutyleneterephthalate

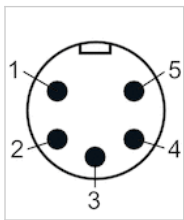
Dimensions

Dimensions



Pin assignments

Plug pin assignment



Data final plug, Series CON-RD

- Plug, M12x1, 4-pin, B-coded, straight, 180°
- for PROFIBUS DP



Ambient temperature min./max.	-25 ... 80 °C
Protection class	IP67
Weight	0.013 kg



Technical data

Part No.
8941054064

Technical information

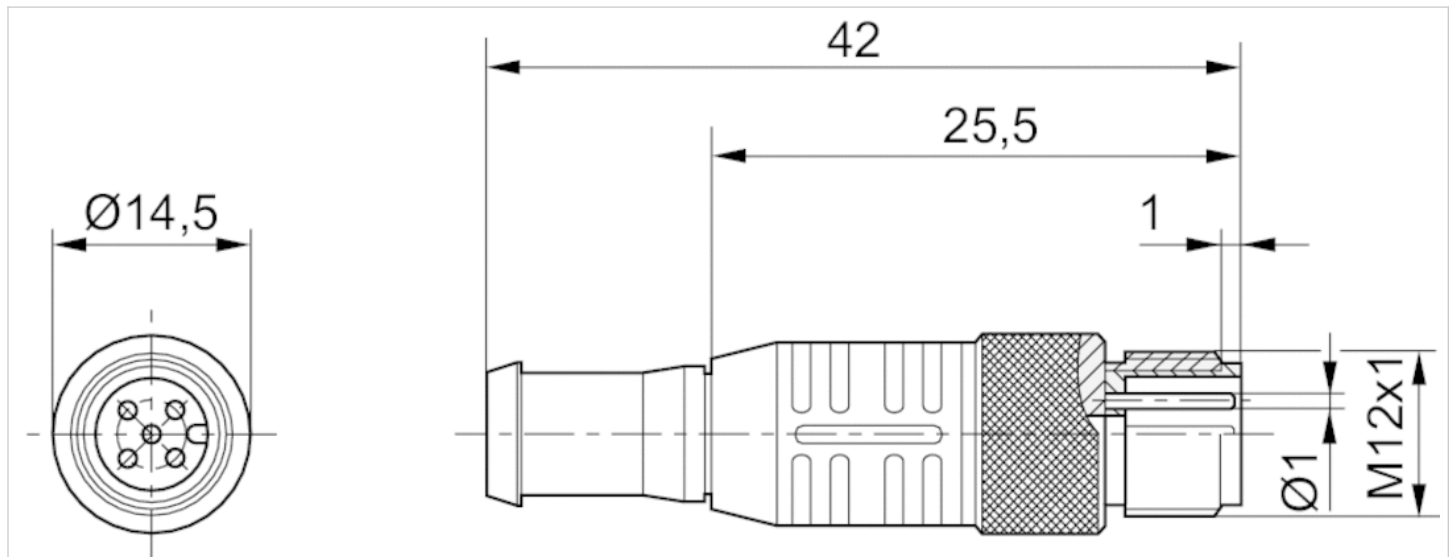
The specified protection class is only valid in assembled and tested state.
 PROFIBUS DP bus termination plug

Technical information

Material	
Housing	Thermoplastic elastomer

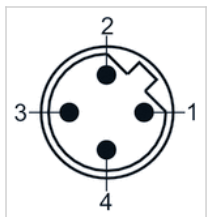
Dimensions

Dimensions



Pin assignments

Plug pin assignment



Data final plug, Series CON-RD

- Plug, M12x1, 5-pin, A-coded, straight, 180°
- for CANopen, DeviceNet



Ambient temperature min./max.	0 ... 60 °C
Protection class	IP67
Weight	0.011 kg



Technical data

Part No.
8941054264

Technical information

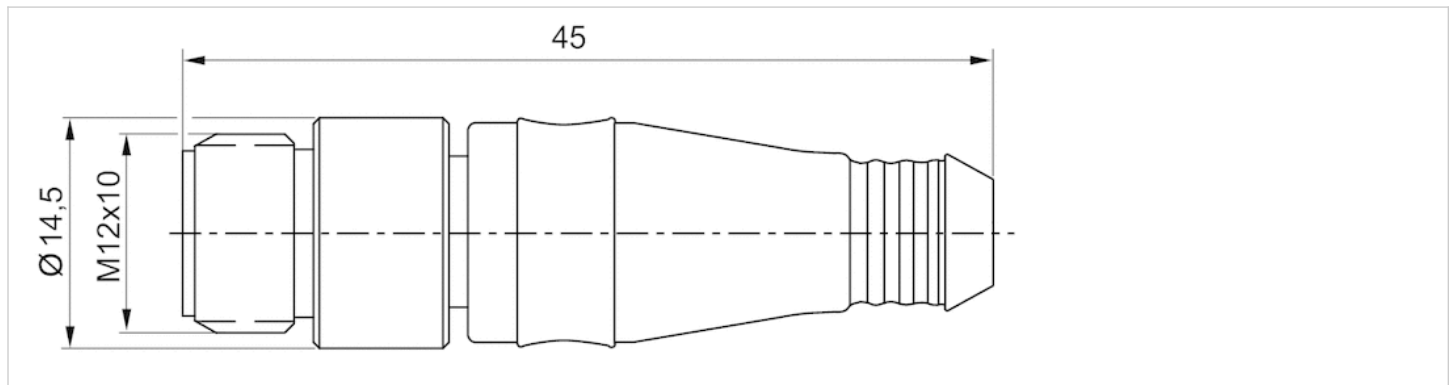
The specified protection class is only valid in assembled and tested state.

Technical information

Material	
Housing	Thermoplastic elastomer

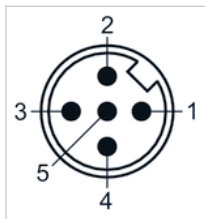
Dimensions

Dimensions



Pin assignments

Plug pin assignment

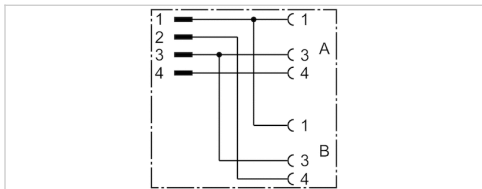


Y-Plug connector, series CON-AP

- Plug, M12x1, 4-pin, A-coded, straight, 180°
- Socket, M8x1, 3-pin, A-coded, straight, 180°
- unshielded



Ambient temperature min./max.	-25 ... 90 °C
Operational voltage	48 V AC/DC
Protection class	IP67
Weight	0.02 kg
	The delivered product may vary from that in the illustration.



Technical data

Part No.	Max. current
8941002382	4 A

Technical information

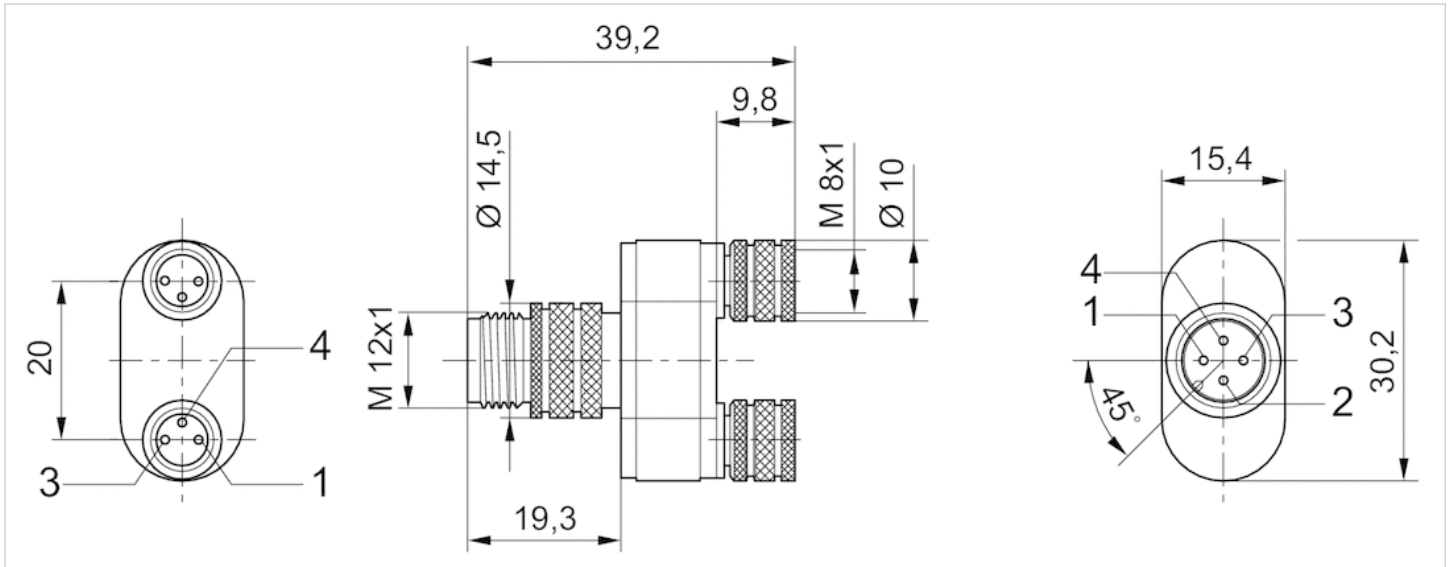
The specified protection class is only valid in assembled and tested state.

Technical information

Material	
Housing	Polyurethane
Seals	Fluorocaoutchouc

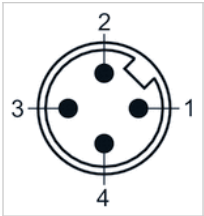
Dimensions

Dimensions

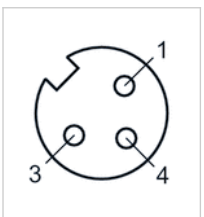


Pin assignments

Plug pin assignment



Pin assignment, socket

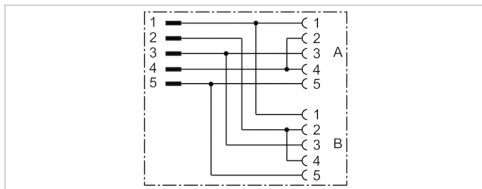


Y-Plug connector, series CON-AP

- Plug, M12x1, 5-pin, A-coded, straight, 180°
- Socket, M12x1, 5-pin, A-coded, straight, 180°
- unshielded



Ambient temperature min./max.	-25 ... 90 °C
Operational voltage	48 V AC/DC
Protection class	IP67
Weight	0.029 kg
	The delivered product may vary from that in the illustration.



Technical data

Part No.	Max. current
8941002392	4 A

Technical information

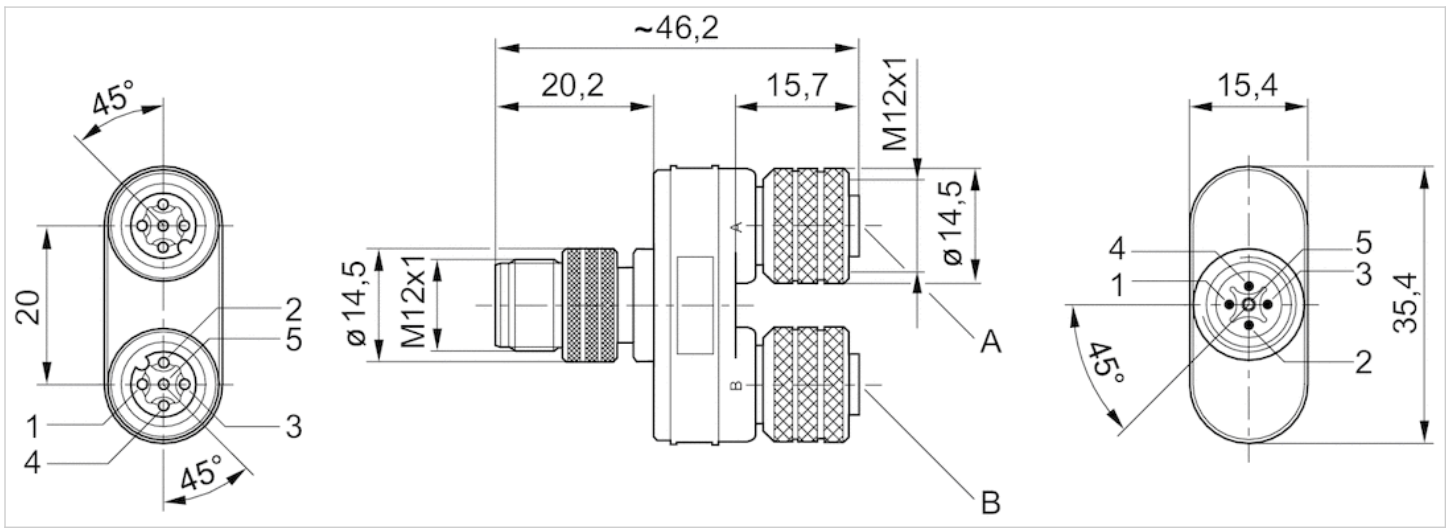
The specified protection class is only valid in assembled and tested state.

Technical information

Material	
Housing	Polyurethane
Seals	Fluorocaoutchouc

Dimensions

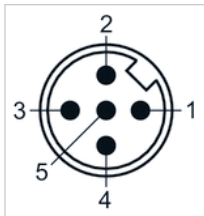
Dimensions



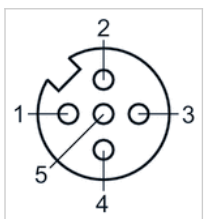
Sockets: Pin 2 and 4 bridged.

Pin assignments

Plug pin assignment



Pin assignment, socket

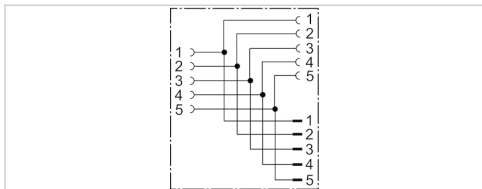


Y-connector, Series CN2

- Plug, M12x1, 5-pin, A-coded, straight, 180°
- Socket, M12x1, 5-pin, A-coded, straight, 180°
- shielded



Ambient temperature min./max.	-25 ... 85 °C
Operational voltage	48 V AC/DC
Protection class	IP65
Weight	0.035 kg



Technical data

Part No.	Max. current
R419800162	4 A

Technical information

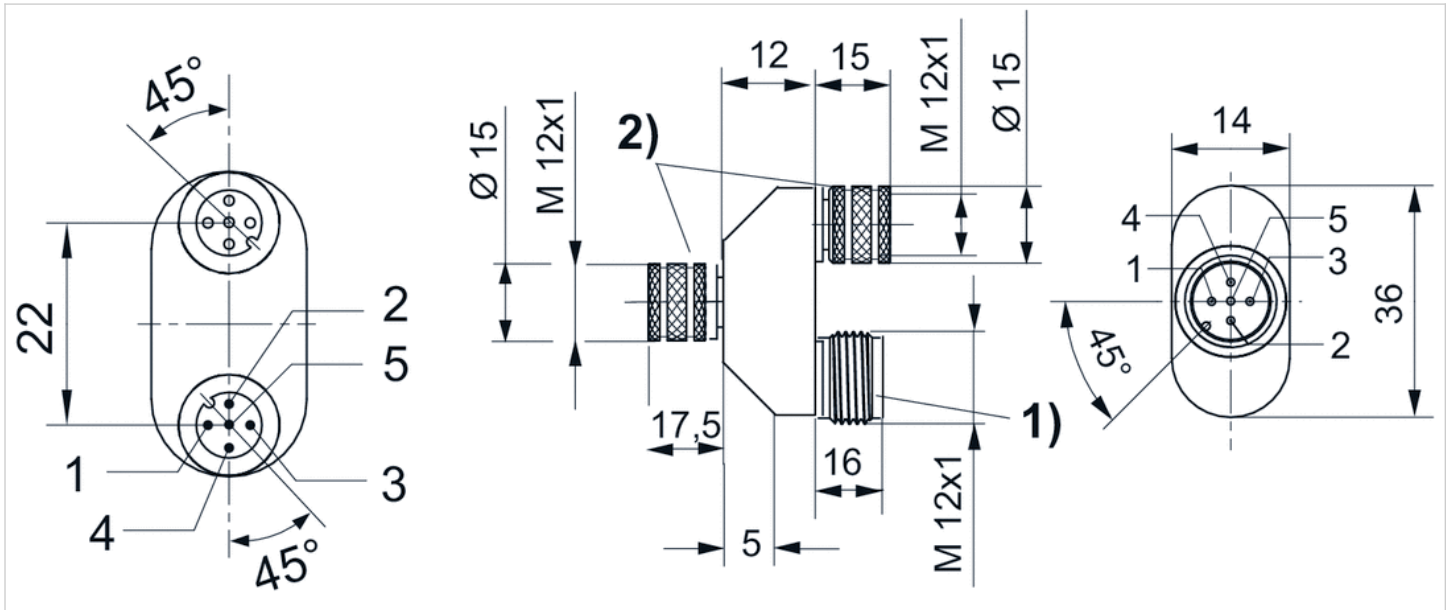
The specified protection class is only valid in assembled and tested state.

Technical information

Material	
Housing	Polyurethane
Seals	Fluorocaoutchouc

Dimensions

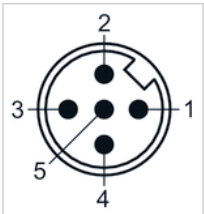
Dimensions



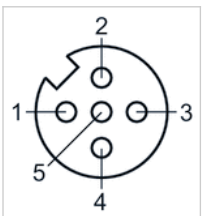
- 1) Plug
- 2) Socket

Pin assignments

Plug pin assignment



Pin assignment, socket

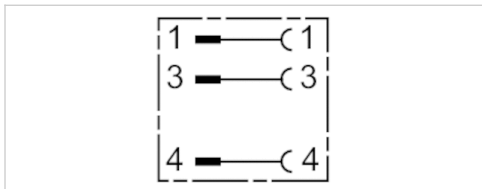


Adapter, Series CON-AP

- Socket, M12x1, 3-pin, A-coded, straight, 180°
- Plug, M8x1, 3-pin, A-coded, straight, 180°
- unshielded



Ambient temperature min./max.	-25 ... 85 °C
Operational voltage	48 V AC/DC
Protection class	IP67
Weight	0.013 kg



Technical data

Part No.	Max. current	Contact assignment
R412021684	4 A	3

Technical information

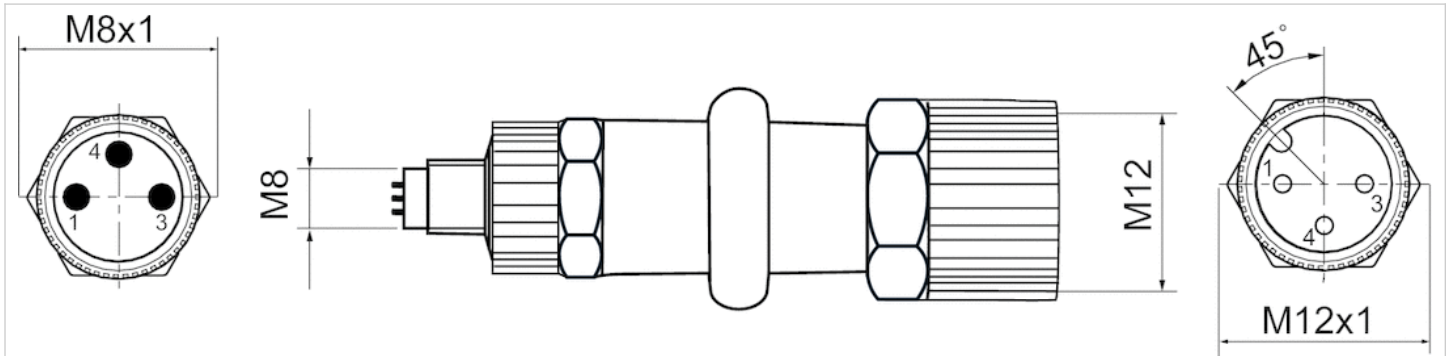
The specified protection class is only valid in assembled and tested state.

Technical information

Material	
Housing	Polyurethane

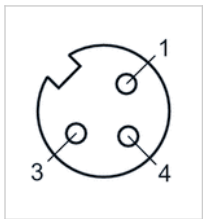
Dimensions

Dimensions

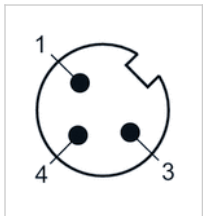


Pin assignments

Pin assignment, socket



Plug pin assignment



Protective cap

- for series CL03



Protection class

IP69K

Weight

0.005 kg

The delivered product may vary from that in the illustration.

Technical data

Part No.	Type	Delivery unit
R419801626	M12x1	1 piece

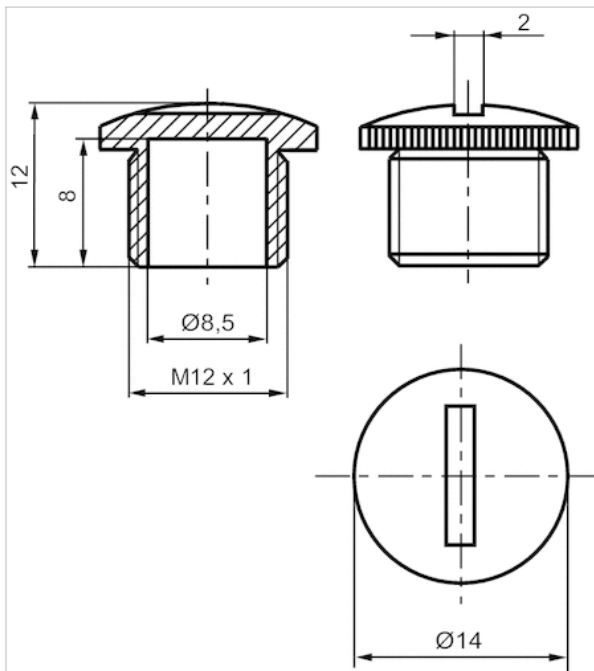
protective cap for manual override (10 pieces), 0.25 m connection cable, form C

Technical information

Material	
Housing	Stainless steel

Dimensions

Dimensions



Sealing cap

- For unused M12 plugs



Ambient temperature min./max.

-40 ... 85 °C

Protection class

IP65

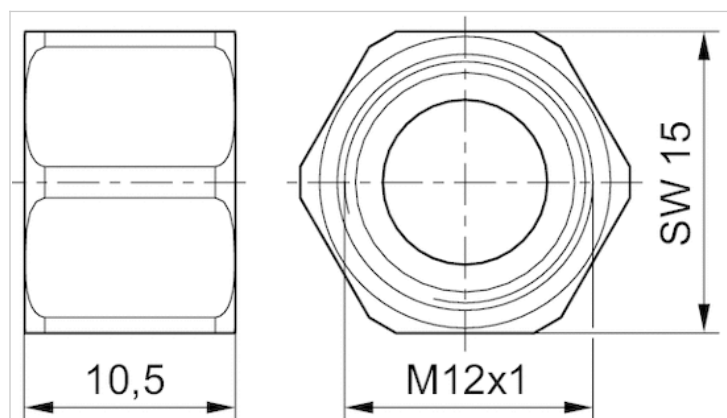
Technical data

Part No.	Type	Delivery unit
R412024837	M12x1	1 piece

Technical information

Material	
Housing	Brass

Dimensions



Sealing cap

- For 7/8" sockets



Ambient temperature min./max. -25 ... 85 °C

Protection class IP65

Weight 0.011 kg

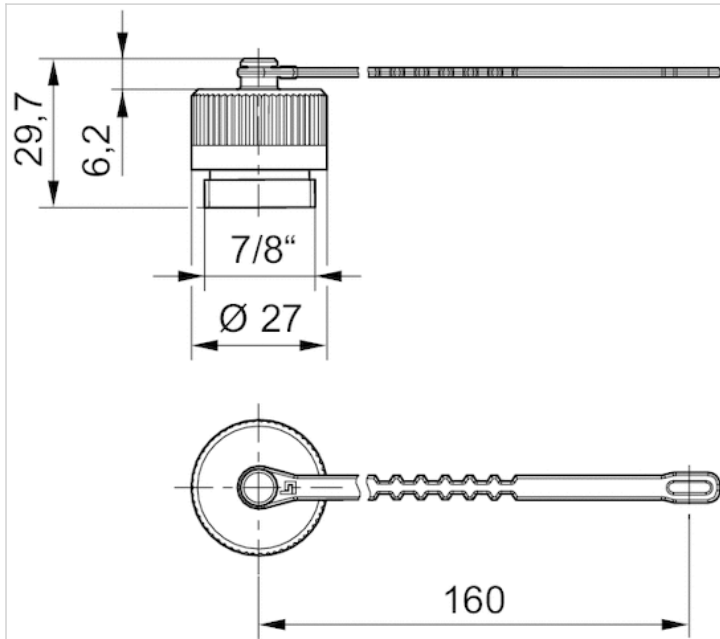
Technical data

Part No.	Type	Delivery unit
R412024838	7/8"-16UNF	1 piece

Technical information

Material	
Housing	Polyamide
Seal	Acrylonitrile butadiene rubber

Dimensions



Protective cap, series CON-RD

- M8x1



Ambient temperature min./max.	-40 ... 85 °C
Protection class	IP67
Weight	0.001 kg

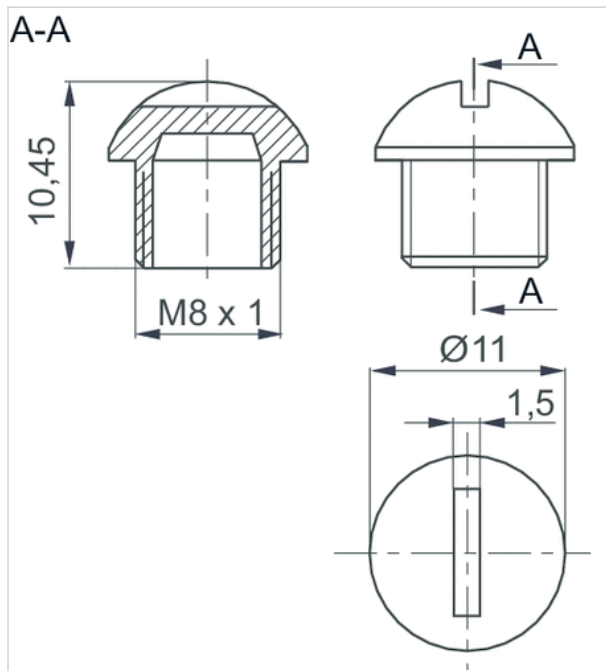
Technical data

Part No.	Type	Scope of delivery
R412003493	M8x1	25

Technical information

Material	
Housing	Polyamide

Dimensions



Protective cap, series CON-RD

- M12x1



Ambient temperature min./max.	-40 ... 85 °C
Protection class	IP67
Weight	0.001 kg

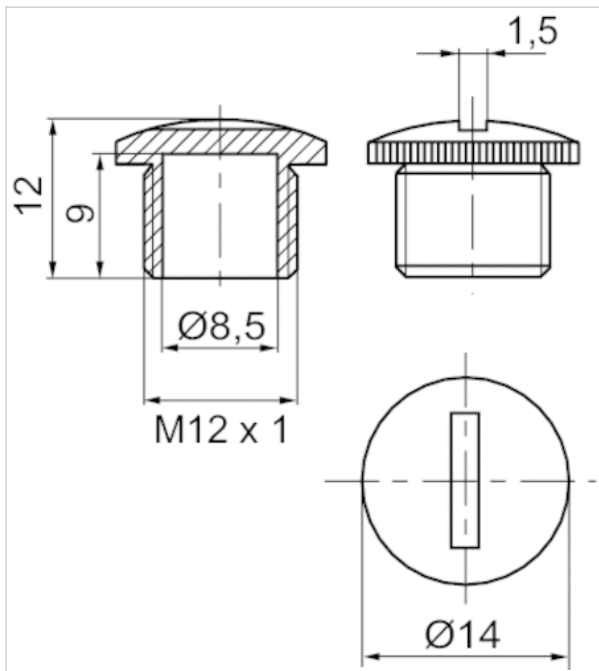
Technical data

Part No.	Type	Delivery unit
1823312001	M12x1	50 piece

Technical information

Material	
Housing	Polyamide

Dimensions



Efficient pneumatic solutions, our program: cylinders and drives, valves and valve systems, air supply management



Visit us: [Emerson.com/Aventics](https://www.emerson.com/Aventics)

Your local contact: [Emerson.com/contactus](https://www.emerson.com/contactus)



Emerson.com



[Facebook.com/EmersonAutomationSolutions](https://www.facebook.com/EmersonAutomationSolutions)



[LinkedIn.com/company/Emerson-Automation-Solutions](https://www.linkedin.com/company/Emerson-Automation-Solutions)



[Twitter.com/EMR_Automation](https://twitter.com/EMR_Automation)

An example configuration is depicted on the title page. The delivered product may thus vary from that in the illustration. Subject to change. This Document, as well as the data, specifications and other information set forth in it, are the exclusive property of AVENTICS GmbH. It may not be reproduced or given to third parties without its consent. Only use the AVENTICS products shown in industrial applications. Read the product documentation completely and carefully before using the product. Observe the applicable regulations and laws of the respective country. When integrating the product into applications, note the system manufacturer's specifications for safe use of the product. The data specified only serve to describe the product. No statements concerning a certain condition or suitability for a certain application can be derived from our information. The information given does not release the user from the obligation of own judgment and verification. It must be remembered that the products are subject to a natural process of wear and aging.

The Emerson logo is a trademark and service mark of Emerson Electric Co. Brand logotype are registered trademarks of one of the Emerson family of companies. All other marks are the property of their respective owners. © 2017 Emerson Electric Co. All rights reserved.
2019-03



CONSIDER IT SOLVED™